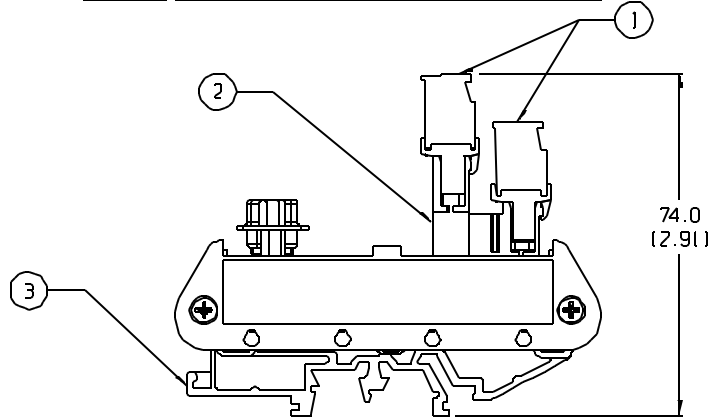


TYPICAL SCHEMATIC

- NOTES:
1. MATERIAL: SEE TABLE
  2. FINISHES: SEE TABLE
  3. PRODUCT SPECIFICATION: NOT REQUIRED
  4. PACKAGING: NOT REQUIRED
  5. MATES WITH: 50 POSITION MALE D-SUB



ITEM	QTY.	DESCRIPTION	MATERIAL	FINISH
3	2	DIN RAIL ADAPTOR UNIT	THERMOPLASTIC	BLACK
2	1	FEMALE D-SUB TO 5.08 HEADER, PC BOARD ASSY.	-	-
1	4	5.08 PLUGGABLE BTS, 13 POSITION	SEE SD-39860-004	BLACK

PROJECT NO. 05-010	-	-
DIMENSIONS:		
<input checked="" type="checkbox"/> MM	<input type="checkbox"/> INCH	<input type="checkbox"/> ONLY
SHEET		REV
REVISE ON		CAD ONLY

RELEASED CLY REC NO. DRWN: CHK: APPR: A	DESCRIPTION MAJOR CRITICAL SPC S	GENERAL TOLERANCES: (UNLESS SPECIFIED)	SCALE 1:1	DESIGN UNITS <input type="checkbox"/> MM <input checked="" type="checkbox"/> INCH	THIRD ANGLE PROJECTION	TITLE: DIN RAIL INTERFACE MODULE, 50 POSITION FEMALE D-SUB TO 5.08 VERTICAL EUROSTYLE PLUG
		4 PLACES ±.015 INCH 3 PLACES ±.038 ±.005 2 PLACES ±.13 ±.01 1 PLACE ±.3	DRAWN BY & DATE C. YORK 11-12-04	APPROVED BY & DATE		
		ANGLUAR: ±2°	CAD FILENAME SD-39170-007	MATERIAL NO. 39170-3150	DRAWING NO. SD-39170-007	
		DRAFT WHERE APPLICABLE MUST REMAIN WITHIN DIMENSIONS	THIS DRAWING CONTAINS INFORMATION THAT IS PROPRIETARY TO MOLEX (INCORPORATED AND SHOULD NOT BE USED WITHOUT WRITTEN PERMISSION.		SHEET NO. 1 OF 1	

SIZE B